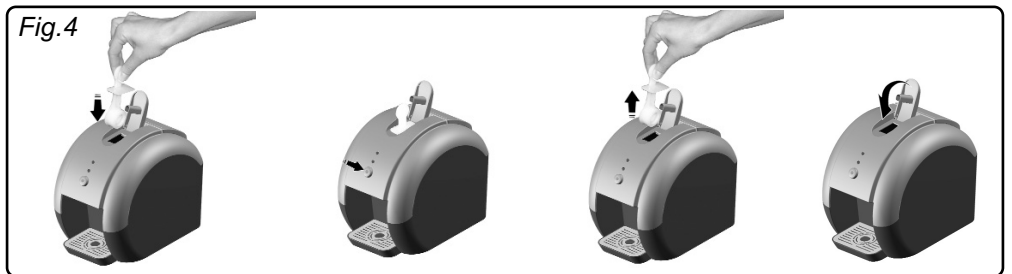
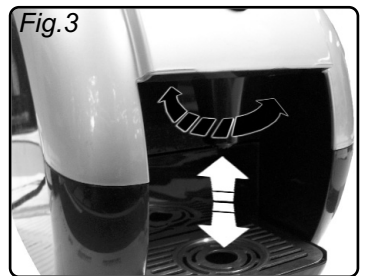
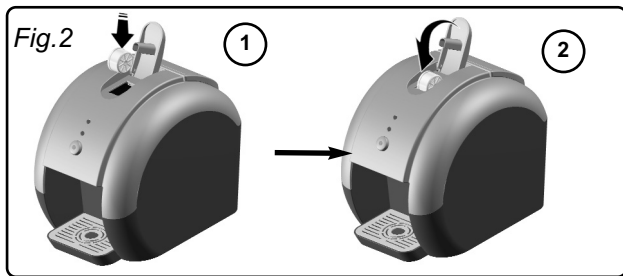
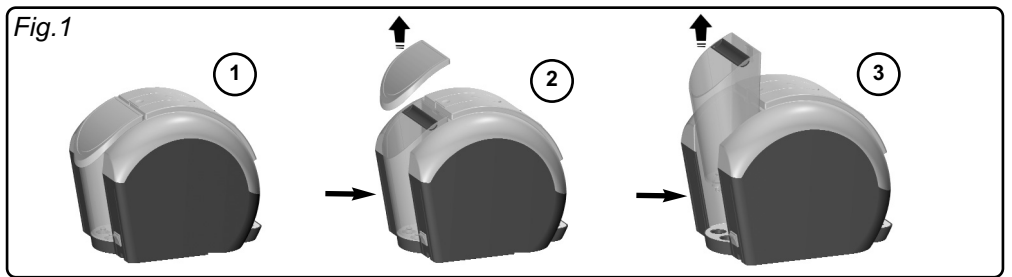
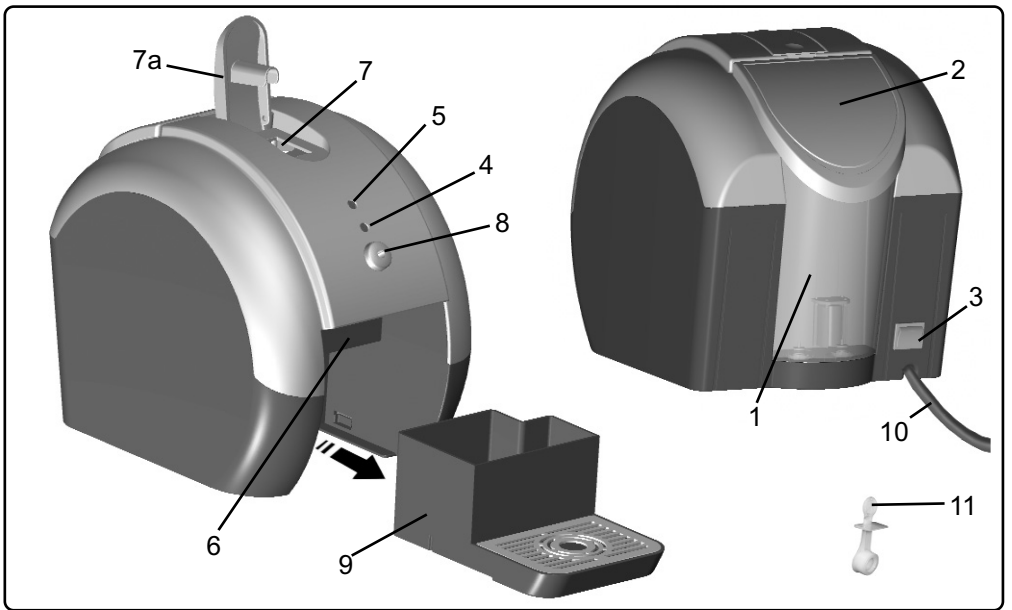


@espresso crema





PRECAUTIONS**KEEP THESE INSTRUCTIONS**

- Read these instructions for use carefully before using the appliance. Any use which does not comply with these instructions will invalidate the warranty.
- The wiring system to which the appliance is connected must always comply with the laws in force.
- Before connecting the appliance, make sure that the mains voltage is the same as the voltage indicated on the data label of the appliance and that the power outlet is connected to earth.
- Always turn off the appliance at the on/off switch before unplugging it.
- If the appliance is left unused, disconnect it from the mains. Never leave the appliance unattended with the cable plugged into the mains.
- Always make sure the appliance is unplugged before performing maintenance work of any kind.
- Do not pull the power cable out of the socket, but grasp the plug itself to avoid damage to the socket.
- Do not allow the power cable to be twisted, crushed, stretched, or come into contact with sharp or hot surfaces.
- Do not use the appliance if the power cable or other important parts are damaged.
- Do not use electric extension leads that are not authorized by the manufacturer, as they may cause damage or fire.
- If it is necessary to replace the power supply cable, please refer to the nearest Polti authorised service centre, since the use of a special tool is necessary.
- Never touch the appliance with wet hands or feet with the cable plugged into the mains.
- Do not use the appliance when barefoot.
- Do not use the appliance near a bathtub, shower or container full of water.
- Never immerse the appliance, the cable or the plugs in water or another liquid.
- Use of the appliance in places where there is a danger of explosions is prohibited.
- Do not use the product with toxic substances.
- Do not lay the hot appliance on surfaces sensitive to heat.
- Do not leave the appliance exposed to wind or rain.
- Do not place the appliance near a live element, an electric stove or any other source of heat.

- Do not expose the appliance to extreme temperatures.
- Never let children or people who are not familiar with how the appliance works use it.
- Do not press the buttons hard or with a pointed object such as a pen.
- Always rest the appliance on a stable surface.
- In case of accidental fall of the appliance it is necessary to have it checked by an authorized Service Centre as the internal safety features may have been affected.
- In case of breakdown or malfunction switch off the appliance and never attempt to disassemble it, but refer to an authorized Service Centre.
- In order to avoid prejudicing the safety of the appliance, use only original spare parts and accessories approved by the manufacturer.
- Do not wind the power cable around the appliance, especially when the appliance is still hot.
- It is necessary to keep the appliance in horizontal position during operation.
- Check that there is water in the reservoir before turning on the machine.
- To fill the water reservoir use only fresh, clean water, never use sparkling mineral water, demineralised water, distilled water, milk or other liquids.
- During refilling with water, switch off and disconnect the appliance from the mains.
- Do not wash coffee machine accessories in the dishwasher.
- **WARNING: the capsule is automatically pushed into the compartment when the door (7a) is closed, pushing it as far as it will go. Never push the capsule in with your fingers.**
- The presence of water in the capsules collection drawer is normal and is due to emptying of the circuit after making each cup.
- This appliance is not intended for use by persons (including children) with reduced physical, sensory or mental capabilities, or lack of experience and knowledge, unless they have been given supervision or instruction concerning use of the appliance by a person responsible for their safety.
- Children should be supervised to ensure that they do not play with the appliance.
- The appliance must not be used if it has fallen, been dropped or when it has visible signs of damage or leaks.
- If the supply cord is damaged, it must be replaced by the manufacturer, its service agent or similarly qualified persons in order to avoid a hazard.



Read these instructions carefully before using the appliance.

KEY

- | | |
|---|---|
| <ol style="list-style-type: none"> 1) Water reservoir 2) Reservoir lid 3) Main switch 4) ON/OFF indicator light 5) "Out of water" light 6) Coffee dispenser | <ol style="list-style-type: none"> 7) Capsule compartment 7a) Capsule compartment door 8) Dispenser switch 9) Used capsules collection drawer / Drip tray 10) Power supply cable 11) Cleaning capsule |
|---|---|

CORRECT USE OF THE PRODUCT

This appliance is intended to be used in household and similar applications such as:

- Staff kitchen areas in shops, offices and other working environments;
- Farm houses;
- By clients in hotels, motels and other residential type environments;
- Bed and breakfast type environments.

Please read the instructions carefully and keep them, as they could be useful to you in the future.

Polti S.p.A declines liability for any damage or accident derived from any use of this appliance which is not in conformity with the instructions contained in this manual.

ATTENTION

Directive 2002/96/EC (Waste Electrical and Electronic Equipment - WEEE): information for users

This product complies with EU Directive 2002/96/EC.



The crossed-out wastebasket symbol on the appliance means that at the end of its useful lifespan, the product must be disposed of separately from ordinary household wastes.

The user is responsible for delivering the appliance to an appropriate collection facility at the end of its useful lifespan. Appropriate separate collection to permit recycling, treatment and environmentally compatible disposal helps prevent negative impact on the environment and human health and promotes recycling of the materials making up the product. For more information on available collection facilities, contact your local waste collection service or the shop where you bought this appliance.

CE This unit conforms with EC-directives 2004/108/CE (EMC) and 2006/95/CE (low voltage).

Polti S.p.A. reserves the right to change equipment or accessory specification without prior notice.

THE CAPSULE SYSTEM

The machine is designed exclusively for use with the "Aroma Polti" capsule. Each capsule contains just the right amount and just the right grind to obtain the best espresso coffee in a few seconds. The wrapper on the capsule is made of polypropylene, an excellent material for use in contact with foodstuff. It is hygienic, convenient, and very resistant to high temperatures.

The capsule system is not only very convenient and easy to use, it guarantees all the freshness and aroma of freshly roasted coffee, so that you can enjoy your favourite blend.

Use with capsules other than "Aroma Polti" capsules will result in forfeiture of the warranty.

SET UP - PREPARATION OF THE MACHINE

- Carefully remove the machine and the accessories from the package.
- Open the lid, remove the water reservoir (1) (fig.1) and wash it with clean cold water.
- Fill the reservoir (1) with clean cold water only, put it back into the machine and close the lid.
Do not fill the reservoir with carbonated water or any other liquid.
- Insert the power cable plug (10) into a suitable earthed socket.
- Turn on the appliance by pressing the main switch (3). The ON/OFF indicator light will come on (4).
- The machine will be ready for use about 2 minutes after it is turned on.
- The maximum quantity of coffee that is possible to make is of about 50 ml.

WARNING: The first time you use the appliance, it is important to do a washing cycle using a cleaning capsule provided as described in the "MAINTENANCE" section.

MAKING COFFEE

- Put a cup under the coffee dispenser (6).
The coffee dispenser (6) may be removed for cleaning or when using a recipient taller than an espresso cup. Follow the instructions in the "MAINTENANCE" section to remove it.
- Open the capsule compartment door (7a) and put a capsule in the compartment (7), in the position suggested by its shape (fig.2).
- Close the door, pushing it all the way.

WARNING: the capsule is automatically pushed into the compartment when the door (7a) is closed, pushing it as far as it will go. Never push the capsule in with your fingers.

- Press the dispenser switch (8) to have the coffee come out after a while. When you have the desired quantity of coffee, press the switch (8) again to stop dispensing. In this way you can make longer or shorter coffee, as you wish, by controlling the amount dispensed.
- The used capsule automatically falls into the collection drawer (9) when a new one is placed in the compartment (7).
Empty the used capsules drawer frequently to ensure that used capsules do not block the exit passage.

NOTE: before switching on the appliance at the switch (8), make sure that you have inserted the capsule for the drink you wish to make, or an empty capsule if you intend to clean the appliance. If you have not placed any capsule in it, the water that is dispensed will not come out of the coffee dispenser (6) but fall into the used capsules drawer (9).

MAINTENANCE

- Always unplug the appliance before performing any maintenance operations.
- Clean the outside of the appliance with a damp cloth only. Never use solvents or detergents, as they could damage the plastic surface.

- Clean the coffee dispenser (6) periodically and whenever the machine has not been used for a long time. To remove it from the appliance, turn it clockwise as far as it will go and remove it from its housing (Fig.3). Rinse it in running water and put it back on the appliance.
- To clean the brewing elements and to help maintain your Polti capsule coffeemaker, use a cleaning capsule at least every 2/3 days. Cleaning is done in exactly the same way as making coffee: just put the cleaning capsule in the machine and make sure there is enough water available for a cup of coffee (Fig. 4).

TIPS: Place a dish underneath the outlet to collect water.

- Empty and clean the drip tray (9) regularly, by removing it from its housing.



To clean and maintain your Polti capsule coffeemaker, we recommend using the Clean Espresso cleaning kit (item code PAEU0176). Clean Espresso cleans and protects, extending the life of your coffeemaker thanks to two new, specifically designed formulas (decalcifying and degreasing).

Clean Espresso is available at www.aromapolti.com

TROUBLESHOOTING

PROBLEM	CAUSE	SOLUTION
Both ON indicator light (4) and "out of water" light (5) are off.	The appliance is not plugged in The main switch (3) is off	Plug the power cable into a suitable power outlet Turn on the main switch
Both ON indicator light (4) and "out of water" light (5) are on.	The water reservoir (1) is empty or incorrectly inserted.	Fill the water reservoir (1). Check that the reservoir has been inserted correctly.
Both ON indicator light (4) and "out of water" light (5) are on during coffee dispensing.	The water reservoir (1) is empty.	Stop coffee dispensing, fill the reservoir, put in a new capsule and start coffee dispensing again.
The used capsules drawer (9) does not close (do not force it)	The drawer is full of used capsules	Empty the drawer and put it back in the appliance.
The appliance appears to work properly, but it does not dispense coffee	No capsule in the compartment. Empty capsule for cleaning in the compartment.	Put the right capsule in the compartment and repeat the process.
Coffee comes out cold	The appliance has not reached the optimal operating temperature	Wait a few minutes to allow the appliance to reach operating temperature.
The machine jams and water comes out of the capsules collection drawer	The capsules collection drawer is full	Empty the capsules collection drawer
The machine does not make coffee the first time it is turned on or after filling the reservoir	The reservoir has not been inserted correctly, or the appliance is initially unable to obtain water	Insert the reservoir correctly and make sure it has been completely filled