

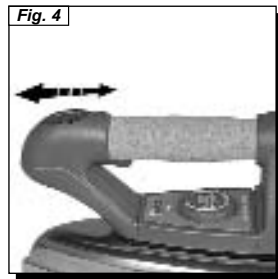
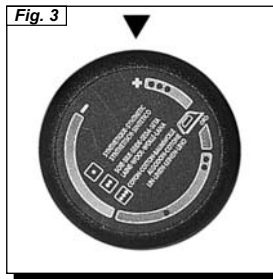
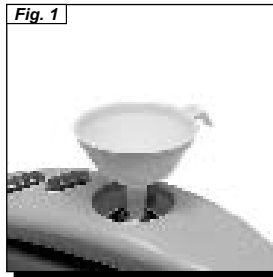
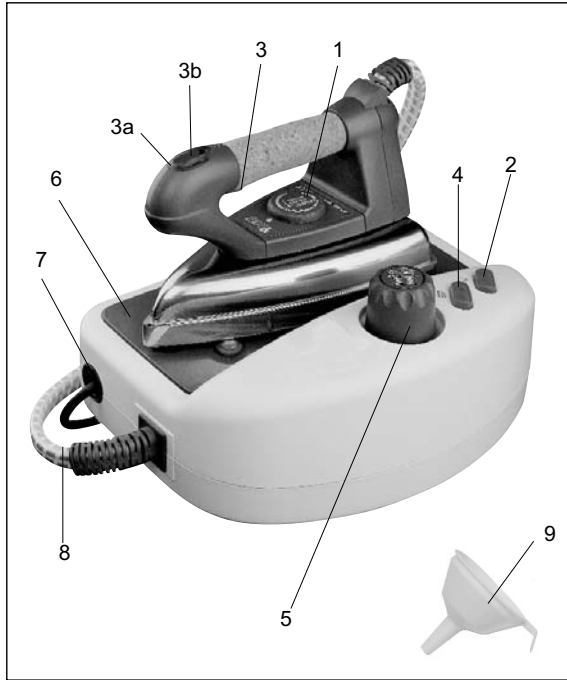
# Vaporella®



CE

 Politi®


# VAPORELLA



# VAPORELLA

- 1) Iron temperature adjustment knob
- 2) Boiler ON/OFF switch
- 3) Steam button
- 3a) "Iron heating" indicator light
- 3b) Continuous steam jet button
- 4) Iron on/off switch
- 5) Patented safety cap
- 6) Iron rest
- 7) Power cable
- 8) Monotube (cable + steam tube)
- 9) Filler funnel

Polti S.p.A. reserves the right to change equipment or accessory specification without prior notice.

 This unit conforms with EC-directives 89/336 as amended by 93/68 (EMC) and 73/23 as amended by 93/68 (low voltage).

## **PLEASE READ THE FOLLOWING BEFORE USE**

### **KEEP THESE INSTRUCTIONS**

- Read these instructions for use carefully before using the appliance.
- Any use which does not comply with these instructions will invalidate the warranty.
- The wiring system to which the appliance is connected must always comply with the laws in force.
- Before connecting the appliance, make sure that the mains voltage is the same as the voltage indicated on the data label of the appliance and that the power outlet is connected to earth
- Always turn off the appliance at the on/off switch before unplugging it.
- If the appliance is left unused, always disconnect it from the mains. Never leave the appliance unattended with the cable plugged into the mains.
- Always make sure the appliance is unplugged before performing maintenance work of any kind
- Do not pull the power cord out of the socket,

but grasp the plug itself to avoid damage to the socket.

- Do not allow the power cord to be twisted, crushed, stretched, or come into contact with sharp or hot surfaces.
- Do not use the appliance if the power cable or other important parts are damaged.
- Do not use electric extension leads that are not authorized by the manufacturer, as they may cause damage or fire.
- If it is necessary to replace the power supply cable, please refer to the nearest Polti authorized service centre, since the use of a special tool is necessary.
- Never touch the appliance with wet hands or feet with the cable plugged into the mains.
- Do not use the appliance when barefoot.
- Do not use the appliance near a bathtub, shower or container full of water
- Never immerse the appliance, the cable or the plugs in water or another liquid.
- Use of the appliance in places where there is a danger of explosions is prohibited.
- Do not use the product with toxic substances.
- Do not lay the hot appliance on surfaces sensitive to heat.
- Do not leave the appliance exposed to wind or rain.
- Do not place the appliance near a live element, an electric stove or any other source of heat.
- Do not expose the appliance to extreme temperatures
- Never let children or people who are not familiar with how the appliance works use it.
- Do not press the buttons hard or with a pointed object such as a pen.
- Always rest the appliance on a stable surface.
- In case of accidental fall of the appliance it is necessary to have it checked by an authorized Service Centre as the internal safety features may have been affected.
- In case of breakdown or malfunction switch off the appliance and never attempt to disassemble it, but refer to an authorized Service Centre.
- In order to avoid prejudicing the safety of the

## VAPORELLA

appliance, use only original spare parts and accessories approved by the manufacturer.

- Do not wind the power cord around the appliance, especially when the appliance is still hot.
- During refilling with water, switch off and disconnect the appliance from the mains.
- It is necessary to keep the unit in horizontal position during operation.
- Do not direct the steam jet on electrical appliances.
- Leave the appliance to cool down before cleaning it.
- Before storing the appliance be sure that it has completely cooled down.
- This appliances is equipped with safety devices which are to be replaced only by a suitably qualified technician.



Do not direct the steam jet at people, animals or debris.  
**Danger of burns!**



Never place your hands inside the jet of steam.  
**Danger of burns!**

- When Refilling the generator tank, use HOT rather than cold water, pour in gently at first and keep your face away. Otherwise the still hot tank walls can spit drops of very hot water or steam spray.
- Do not put any detergent or chemical substance in the boiler. Water by its nature contains magnesium, mineral salts and other deposits which in hard water areas can contribute to limescale build up in the tank. To avoid these problems, it is necessary to swill out with tap-water and empty the generator tank after every 3 or 4 uses. In very hard water areas we recommend the use of our KALSTOP FP 2003, a special natural-base decalcifier which inhibits and breaks down limescale, making it easy to remove just by swilling out the tank with a little tapwater. This is a preventive against scale

build-up and protects the metal walls of the steam generator tank. KALSTOP is available from Polti dealers or by mail-order from your Polti Service Centre.

- Ensure the patented safety cap is fully and correctly screwed on, otherwise you may experience steam escaping from around the cap.
- Do not refill the tank while it is still hot, allow it to cool down for a few minutes before refilling.
- Do not empty the appliance when the water in the boiler is still hot.
- Do not try to unscrew the safety cap when the appliance is in use.
- Check periodically the safety cap and the related gasket, replace them with original spare parts if necessary.
- If you iron sitting down, do not place your legs under the ironing board, the steam can cause burns.
- Iron only on heat resistant surfaces and on surfaces that allow the steam to escape e.g. mesh ironing boards.
- Check that the continuous steam request button is switched off before connecting the appliance to the mains.

### **IMPORTANT**

**Before leaving our factory all our products are rigorously tested. However, your VAPORELLA may contain some residual water in the boiler.**

### ***CORRECT USE OF THE PRODUCT***

This appliance is intended for home use as a steam generator as described and in accordance with the instructions provided in this manual. Please read these instructions carefully and keep them, as you may find them useful in future.

### ***ATTENTION***

- This appliance is built according to current regulations for recycling.
- Do not throw the appliance and packing materials used to protect the appliance during transportation, but take them to relevant collecting centers.

# VAPORELLA

- **Polti declines liability for any damage or accident derived from any use of VAPORELLA which is not in conformity with the instructions contained in this booklet.**

## PREPARATION FOR USE

- 1a. Unscrew the patented safety cap (5) and fill the boiler with about 0.9 litres of water using the special funnel (9) making sure that it does not overflow (fig. 1).  
Normal tapwater can be used. However, as hard water by its nature contains limestone, which may cause a build-up of limescale in the tank, in hard water areas we recommend the use of our natural-base decalcifier Kalstop FP 2003.
- 2a. Retighten the cap fully and carefully. Ensure the patented safety cap (5) is fully and correctly screwed on, otherwise you may experience steam escaping from around the cap.
- 3a. Connect the power supply cable into an earthed power supply of the correct voltage.
- 4a. Switch on the boiler and iron by pressing the switches (2) and (4) (fig. 2).

**NOTE:** during the filling operation, be careful that the water does not overflow as it may come out and wet the surface where Vaporella is laid.

## INSTRUCTIONS FOR USE

### STEAM IRONING

- 1b. Set the iron temperature to the "COTTON - LINEN" steam position (fig. 3), by turning the knob (1). All types of fabric can be ironed at this temperature.
- 2b. Wait until the boiler switch (2) and the "Iron heating" indicator light (3a) switch off (about 15 minutes). Press the button (3) on the iron to release steam out of the steam holes on the soleplate. Releasing the button, the steam stops.
- 3b. In order to have a continuous steam jet, move the button (3b) forwards. Steam will keep on coming out, even if you release the button. To interrupt the outlet, move the button (3b) backwards (fig. 4).

**NOTE:** during initial operation of the iron, a

few drops of water mixed with steam may come out of the soleplate until the temperature stabilises. It is advisable to direct the first jets of steam onto an old cloth until a uniform stable jet of steam is obtained.

### DRY IRONING

- 1c. For dry ironing:
  - Plug the cable in.
  - Press the iron switch (4), leaving the boiler switch (2) off.
  - Adjust the soleplate temperature turning the knob (1) setting to the temperature required according to the type of fabric.

### NOTE:

- The boiler switch (2) and the "Iron heating" indicator light (3a) goes on and off during usage. This means that the heating element is working correctly to keep a constant pressure in the boiler. This is a correct functioning, just continue ironing as normal.
- If no steam is released from the iron, check the following: the "Iron heating" indicator light (3a) is switched off; there is water in the boiler.

## PATENTED SAFETY CAP / "WATER OUT"

Your Vaporella is equipped with the unique Polti patented safety cap, which prevents opening of the generator tank as long as there is any pressure remaining inside the tank. This is an important and indispensable safety device, and it is necessary to follow certain procedures when refilling the tank.

When you have used up all the water in the tank, do as follows:

- 1d. Switch off the boiler on/off switch (2).
- 2d. Press the steam request button on the iron (3) so as to fully exhaust the steam supply from the tank.
- 3d. Switch off the iron switch (4).
- 4d. Disconnect the power supply cable from the mains.
- 5d. Unscrew anti-clockwise the patented safety cap (5).

## VAPORELLA

- 6d. Wait for a few minutes to allow the generator tank to cool down.
- 7d. When cool, proceed to carefully refill the tank as described in paragraph 1a of the section "PREPARATION FOR USE" in the instructions. If refilling the generator when not completely cooled, we recommend that you carefully pour only very small quantities of water at each pouring into the tank, so as to avoid spitting from the tank.

### CARE OF YOUR VAPORELLA

- **Before attempting any maintenance operation, be sure to always disconnect the appliance from the mains.**
- To clean the body of the appliance, simply use a moist cloth. Do not use solvents or detergents which may harm the body material.

### **FOR YOUR OWN SAFETY READ FOLLOWING INSTRUCTIONS CAREFULLY BEFORE ATTEMPTING TO CONNECT THIS UNIT TO THE MAINS.**

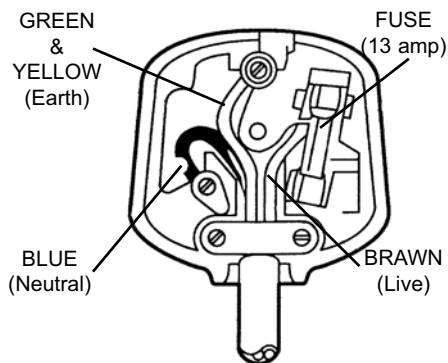
#### MAINS (AC) OPERATION (only U.K.)

This unit is designed to operate on 240V, 50 Hz current only. Connecting it to other power sources may damage the unit.

#### **WARNING - This appliance must be earthed.**

This appliance may be fitted with a non rewirable plug, if it is necessary to change the fuse in a non rewirable plug the fuse cover must be refitted. If the fuse cover is lost or damaged, the plug must not be used until a replacement, available from the appliance manufacturer, is obtained. It is important that the colour of the replacement fuse cover corresponds with the colour marking on the base of the plug.

If the plug requires to be changed because it is not suitable for your socket, or becomes damaged, it should be cut off and an appropriate plug fitted following the wiring instruction (below). The plug removed must be disposed of safely as insertion into a 13A socket is likely to cause an electrical hazard.



### **IMPORTANT**

This wires in this mains lead are coloured in accordance with the following code.

- Green-and-yellow: Earth
- Blue: Neutral
- Brown: Live

As the colours of the wires in the mains leads of this appliance may not correspond with the coloured markings identifying the terminals in your plug, proceed as follows:

The wire which is coloured green-and-yellow must be connected to the terminal in the plug which is marked with the letter "E" or by the earth symbol or green-and-yellow.

The wire which is coloured blue must be connected to the terminal which is marked with the letter "N" or coloured black.

The wire which is coloured brown must be connected to the terminal which is marked with the letter "L" or coloured red.